

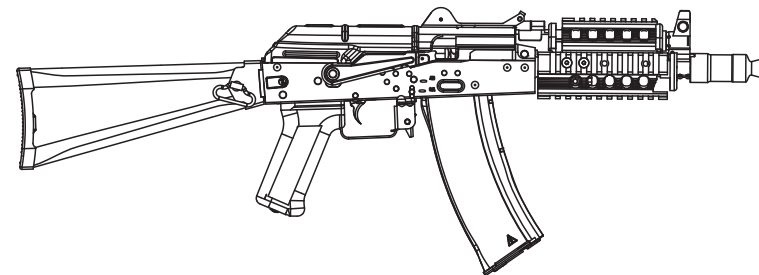
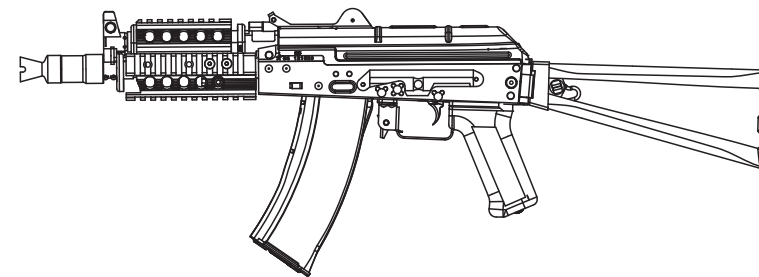
**SOPMOD**  
**Krinkov PDW**  
AUTOMATIC ELECTRIC RIFLE



**CAUTION**

**-HANDLING CAUTIONS AND INSTRUCTION MANUAL-**

Always read through this manual before operation.



In 1979 a shortened variant of the AKS-74 was adopted into service – the AKS-74U (U – Ukorochenniy) carbine, which in terms of tactical deployment, bridges the gap between a submachine gun and assault rifle. It is intended for use mainly with special forces, airborne infantry, rear-echelon support units and armored vehicle crews. The weapon's compact dimensions, compared to the AKS-74, were achieved by using a short, 210 mm (8.3 in) barrel (this forced designers to simultaneously reduce the gas piston operating rod to an appropriate length). In order to effectively stabilize projectiles, the barrel's twist rate was reduced from 200 mm (7.9 in) to 160 mm (6.3 in).

**SOPMOD**  
**Krinkov PDW**  
HANDLING CAUTIONS AND INSTRUCTION MANUAL



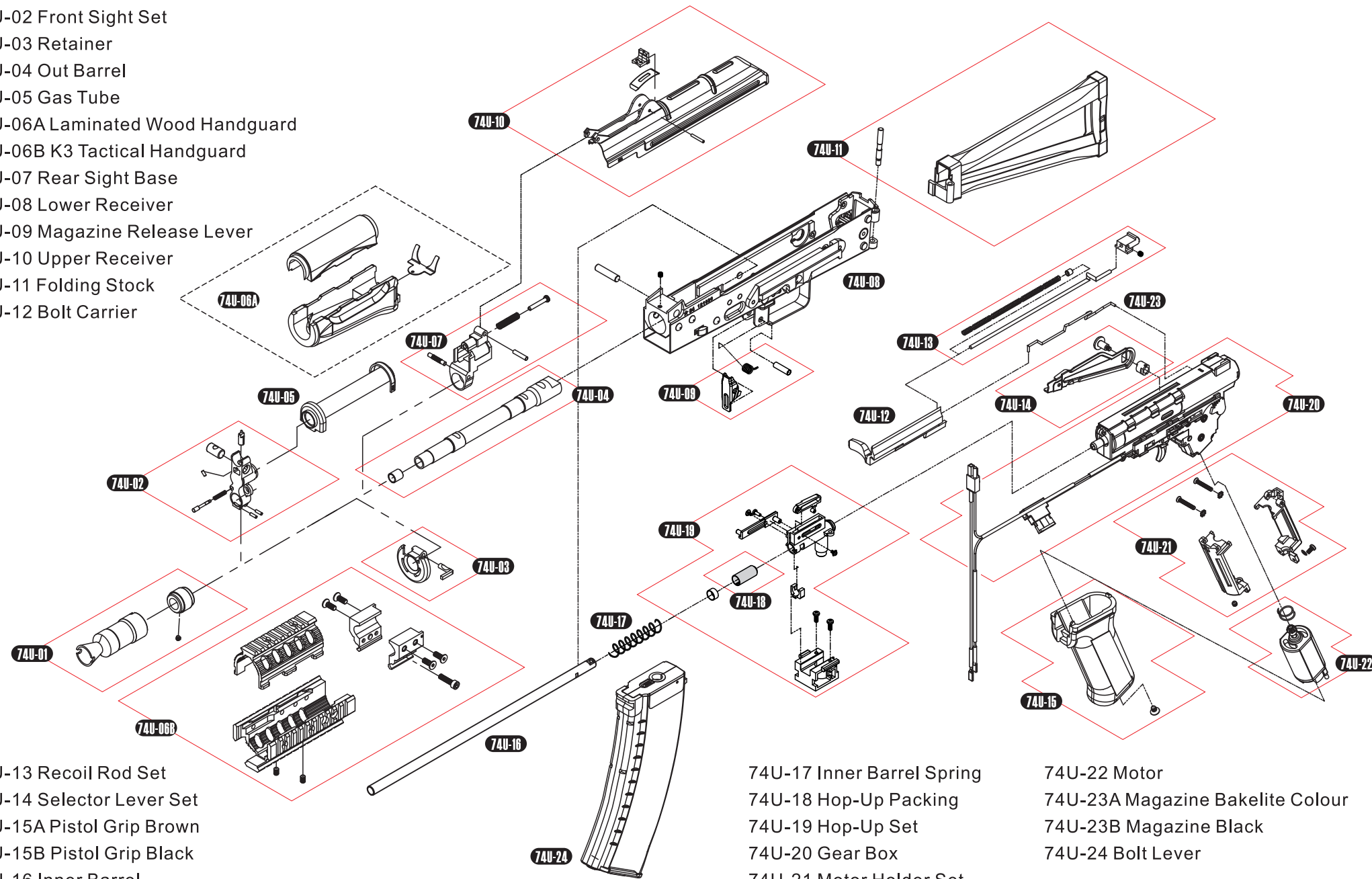
VegaForce Company

**FOR AIRSOFT GUNS ONLY.**  
**CAN NOT BE MODIFIED OR USE FOR REAL FIREARMS.**

**HANDLING CAUTIONS AND INSTRUCTION MANUAL VEGA FORCE COMPANY AUTOMATIC ELECTRIC RIFLE-Krinkov PDW-**

**AKS74UN / Krinkov PDW PARTS LIST**

- 74U-01 Flash Hider
- 74U-02 Front Sight Set
- 74U-03 Retainer
- 74U-04 Out Barrel
- 74U-05 Gas Tube
- 74U-06A Laminated Wood Handguard
- 74U-06B K3 Tactical Handguard
- 74U-07 Rear Sight Base
- 74U-08 Lower Receiver
- 74U-09 Magazine Release Lever
- 74U-10 Upper Receiver
- 74U-11 Folding Stock
- 74U-12 Bolt Carrier



- 74U-13 Recoil Rod Set
- 74U-14 Selector Lever Set
- 74U-15A Pistol Grip Brown
- 74U-15B Pistol Grip Black
- 74U-16 Inner Barrel

- 74U-17 Inner Barrel Spring
- 74U-18 Hop-Up Packing
- 74U-19 Hop-Up Set
- 74U-20 Gear Box
- 74U-21 Motor Holder Set

- 74U-22 Motor
- 74U-23A Magazine Bakelite Colour
- 74U-23B Magazine Black
- 74U-24 Bolt Lever

**NO COMPROMISE ? GET VFC !**